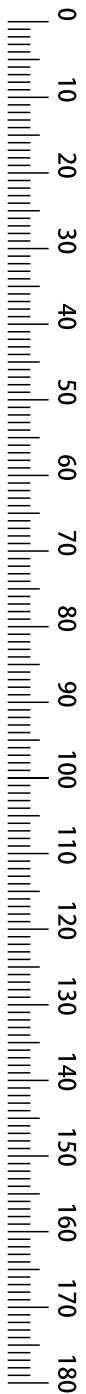
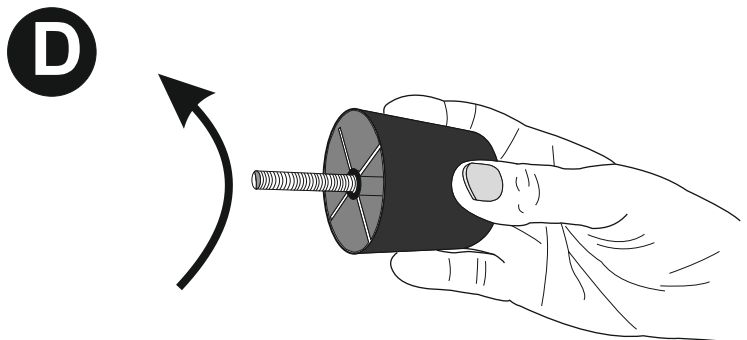
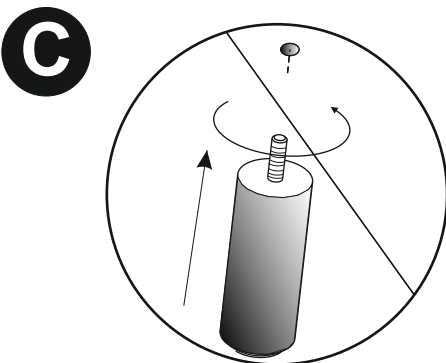
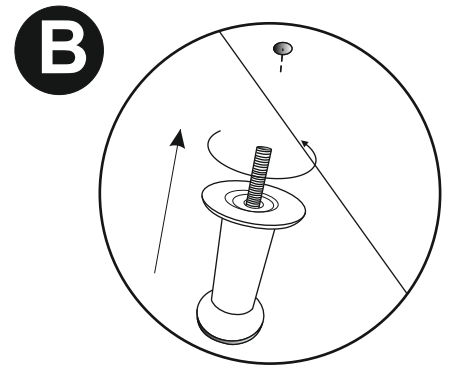
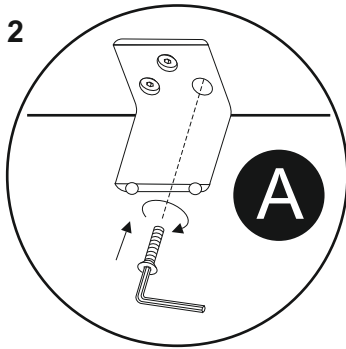
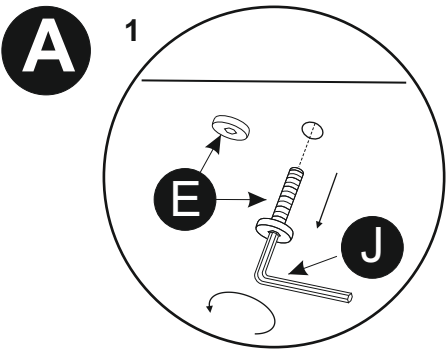
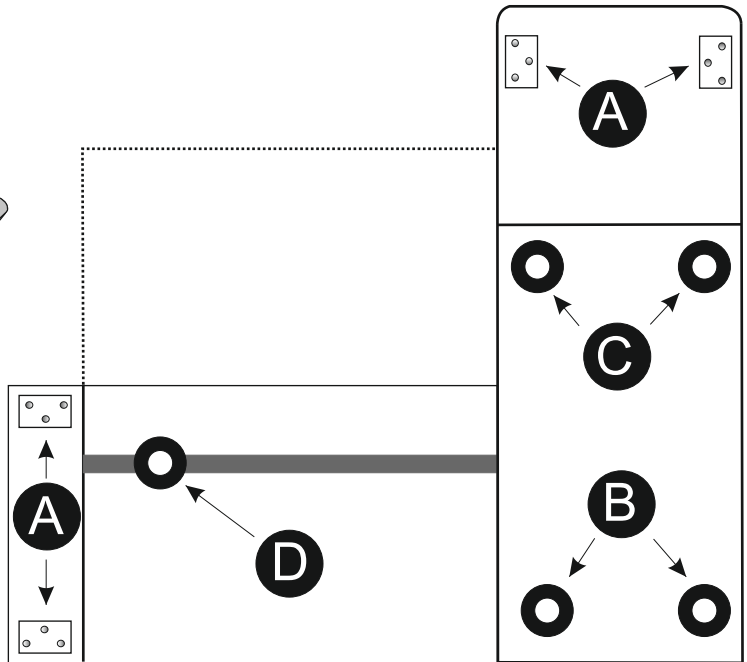
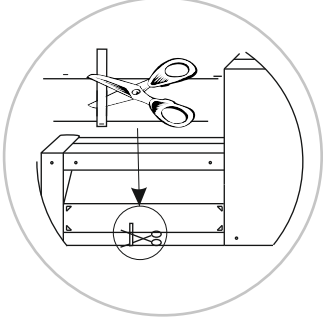
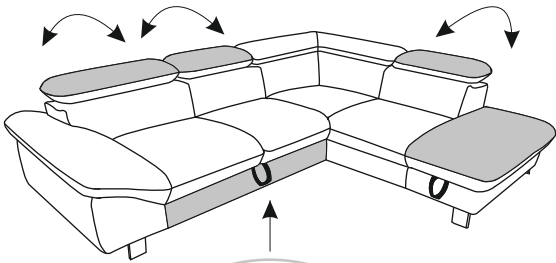
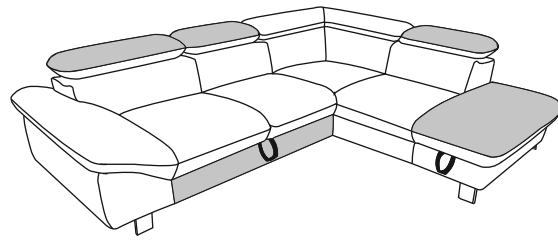
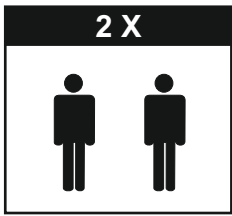


2/2



5





1/2

